

BEER CAVE CORNER SHELF ASSEMBLY GUIDE



Intertek

Sanitation Listed
Certified to NSF/ANSI 2 by Intertek

-Size of parts will differ depending on customer's order.

-Quantity of parts might differ depending on customer's order.

NEED:



Two people
needed



1/2" Wrench & Ratchet with
1/2" Deep Well Socket



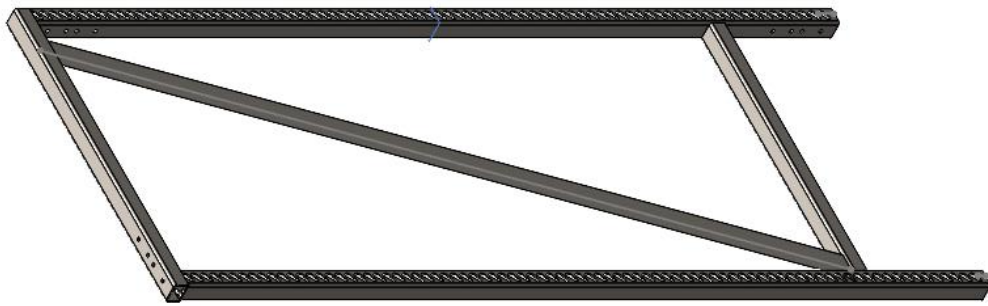
Level



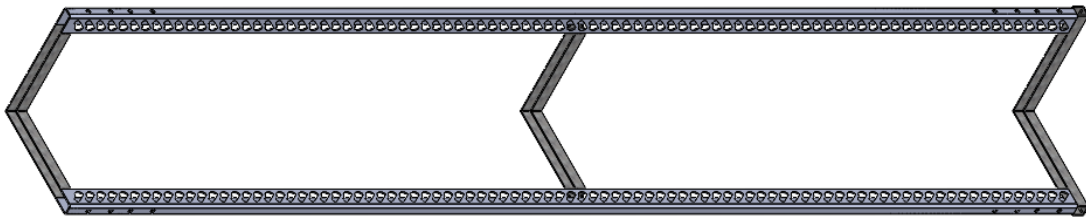
Utility
Gloves

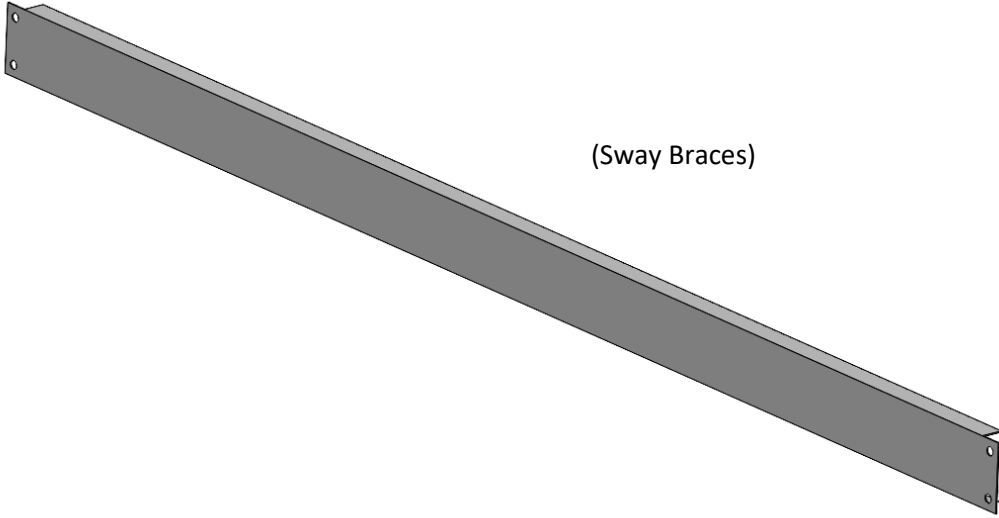
PARTS LIST

(Upright)

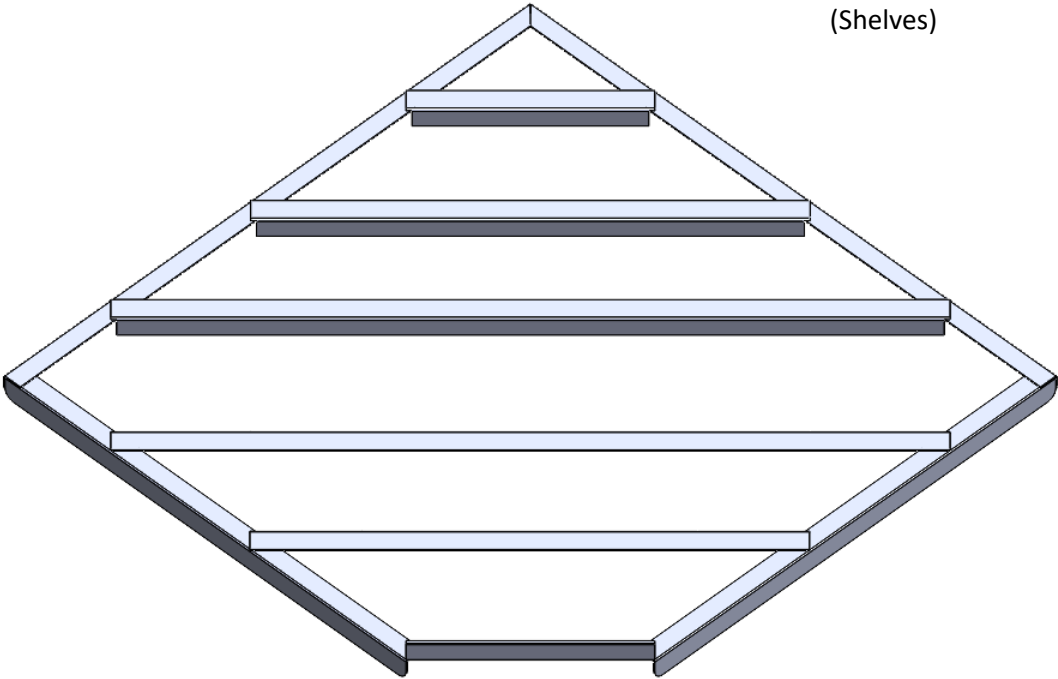


(Corner Upright)



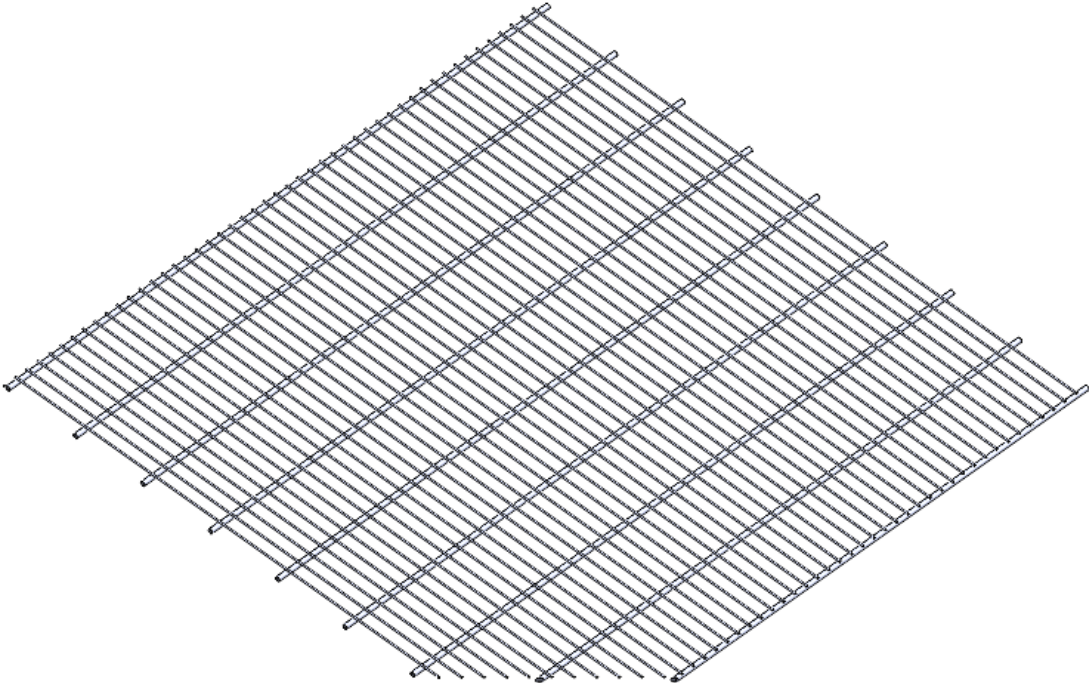


(Sway Braces)

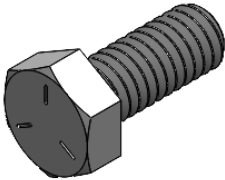


(Shelves)

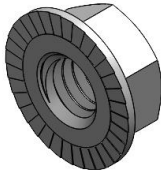
(Wire Mat)



Shelf Clamps

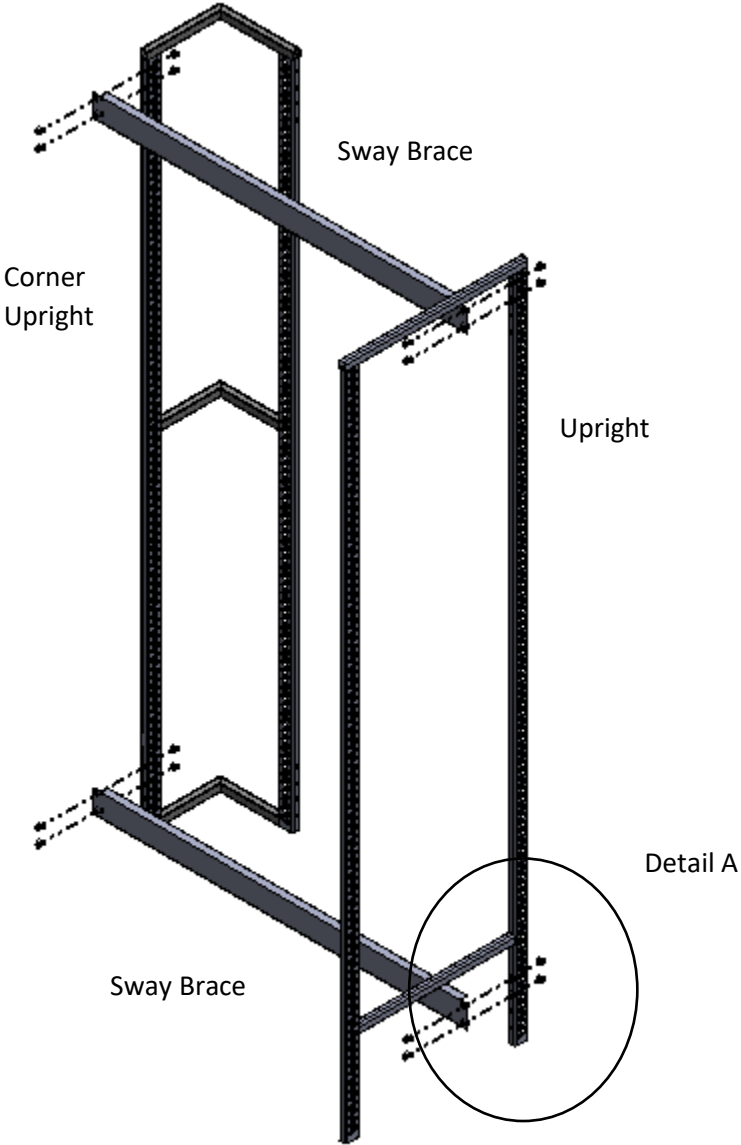


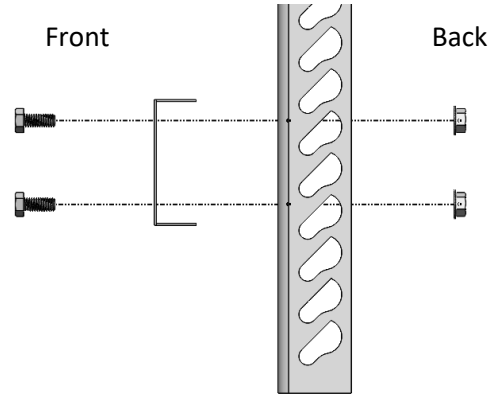
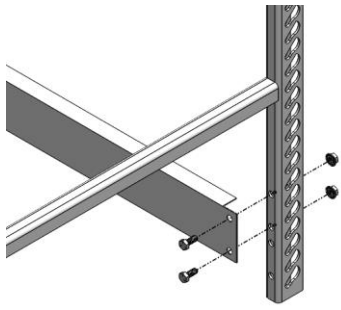
5/16" Bolt



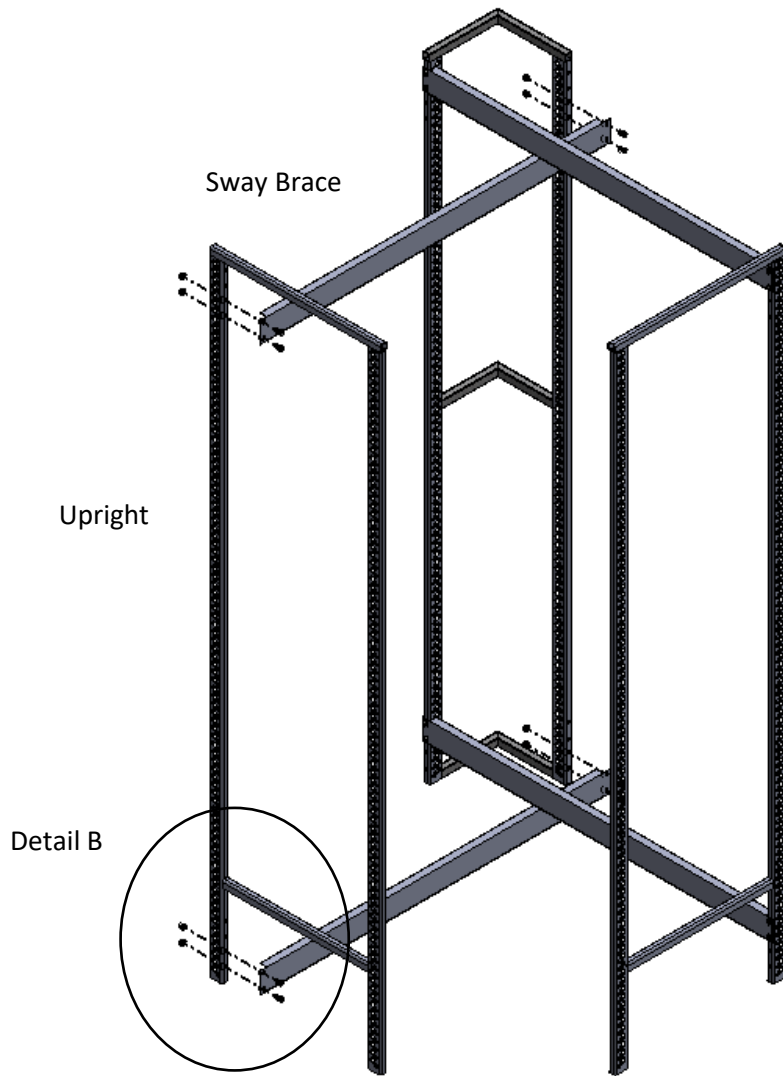
5/16" Wiz Nut

Step 1: Tighten with fingers, leave just finger tight until the end. Do **NOT** tighten with wrench until the end. Suggested location of sway braces are Top Back and Bottom Back. Each section will have installed two Sway Braces of 3". Detail A shows the bolts to be installed in the top holes of the Sway Braces. Detail B shows the bolts to be installed in the bottom holes of the Sway Braces to cross them without collision.





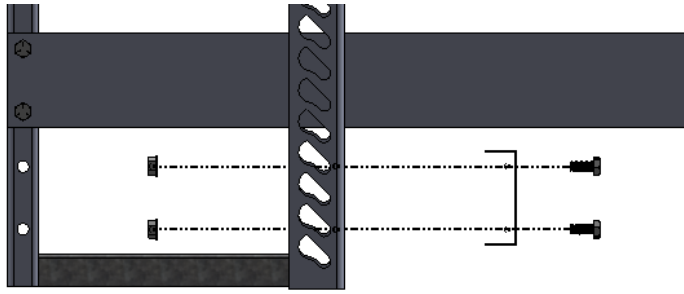
A Detail



Sway Brace

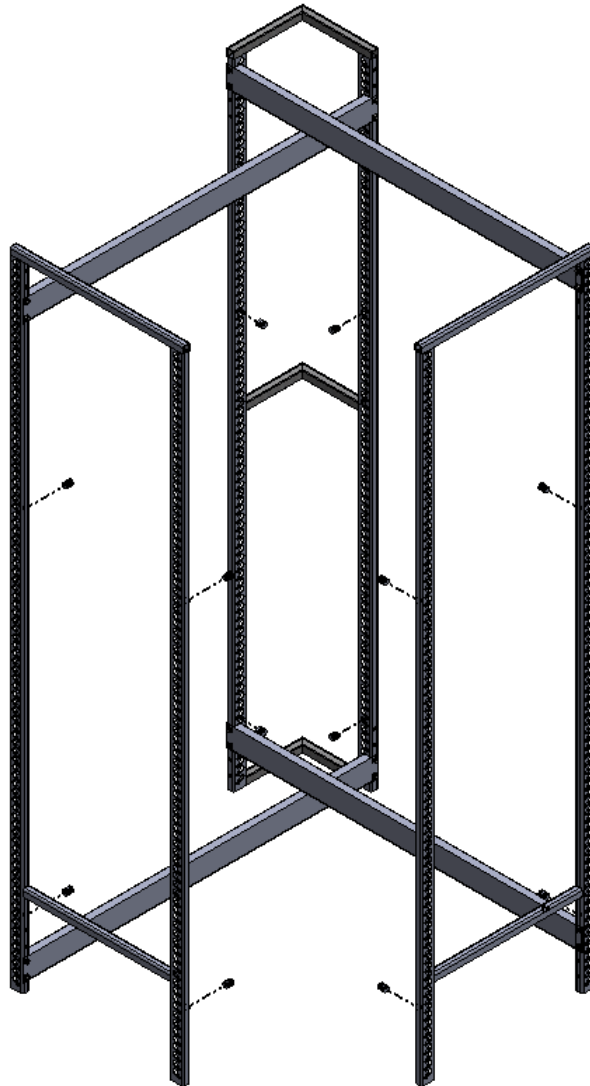
Upright

Detail B

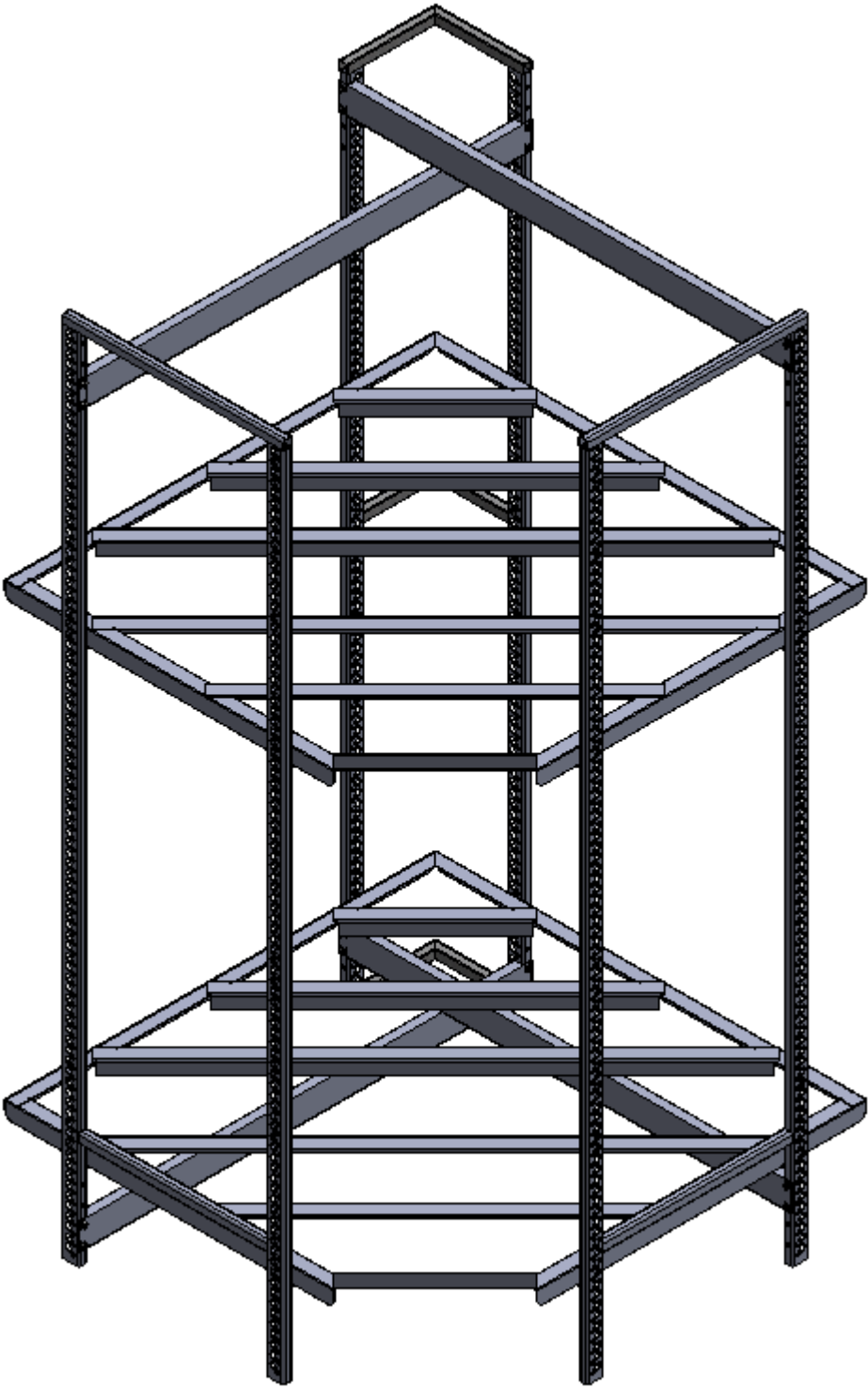


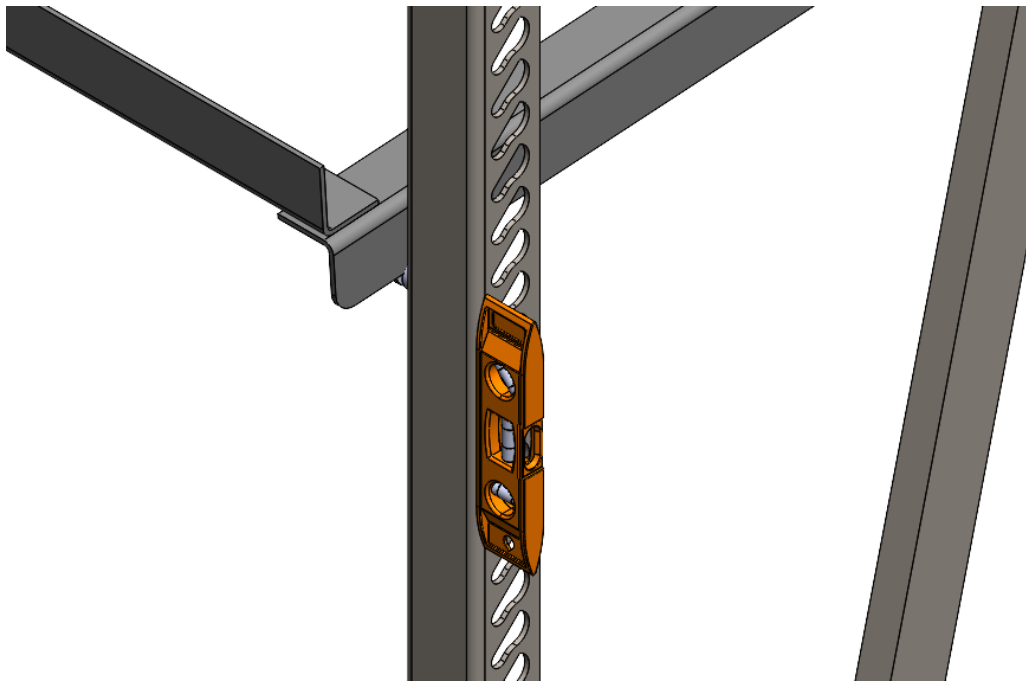
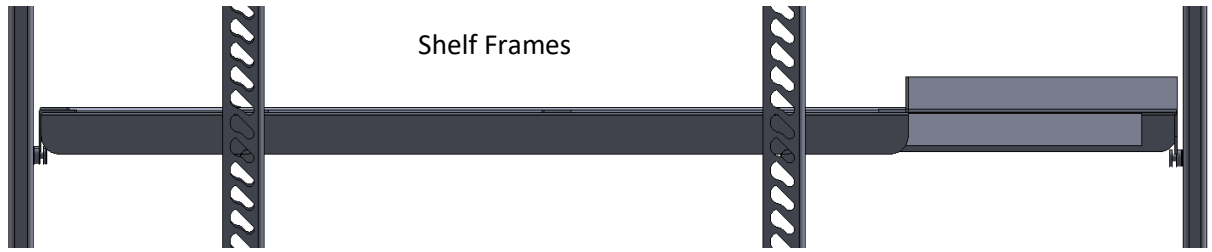
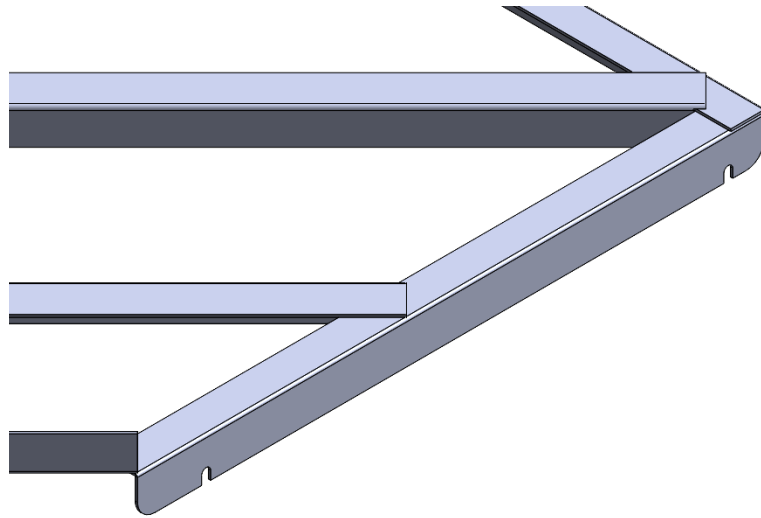
Detail B

Step 2: Set Shelf clamps on the Upright frame to attach the Shelves.

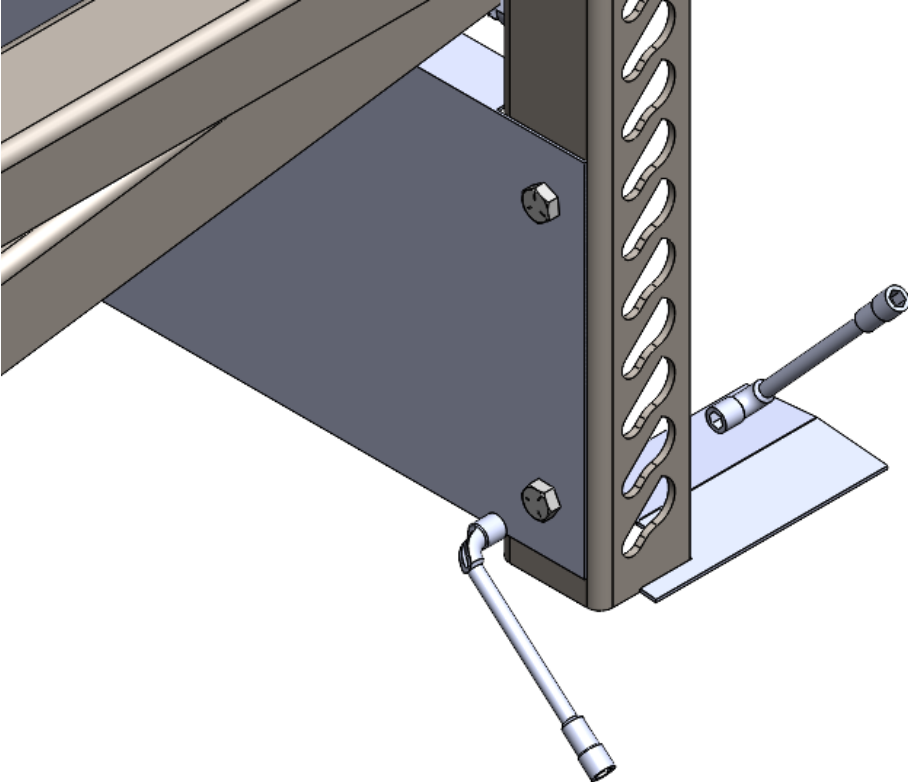


Step 3: Install the shelf frames. Use level to make sure rack is plumb. Shelf clamps have to slot in the notches.

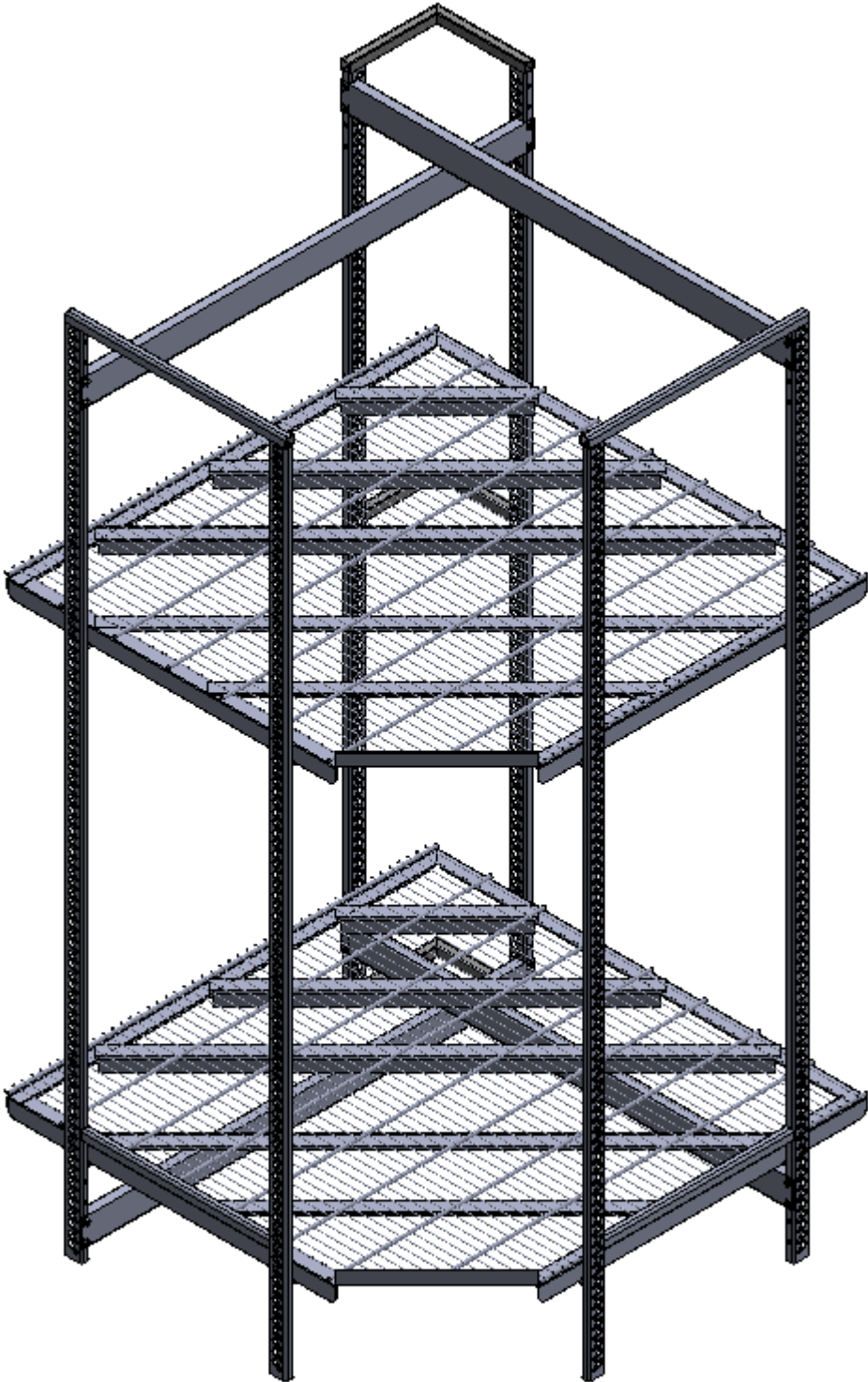




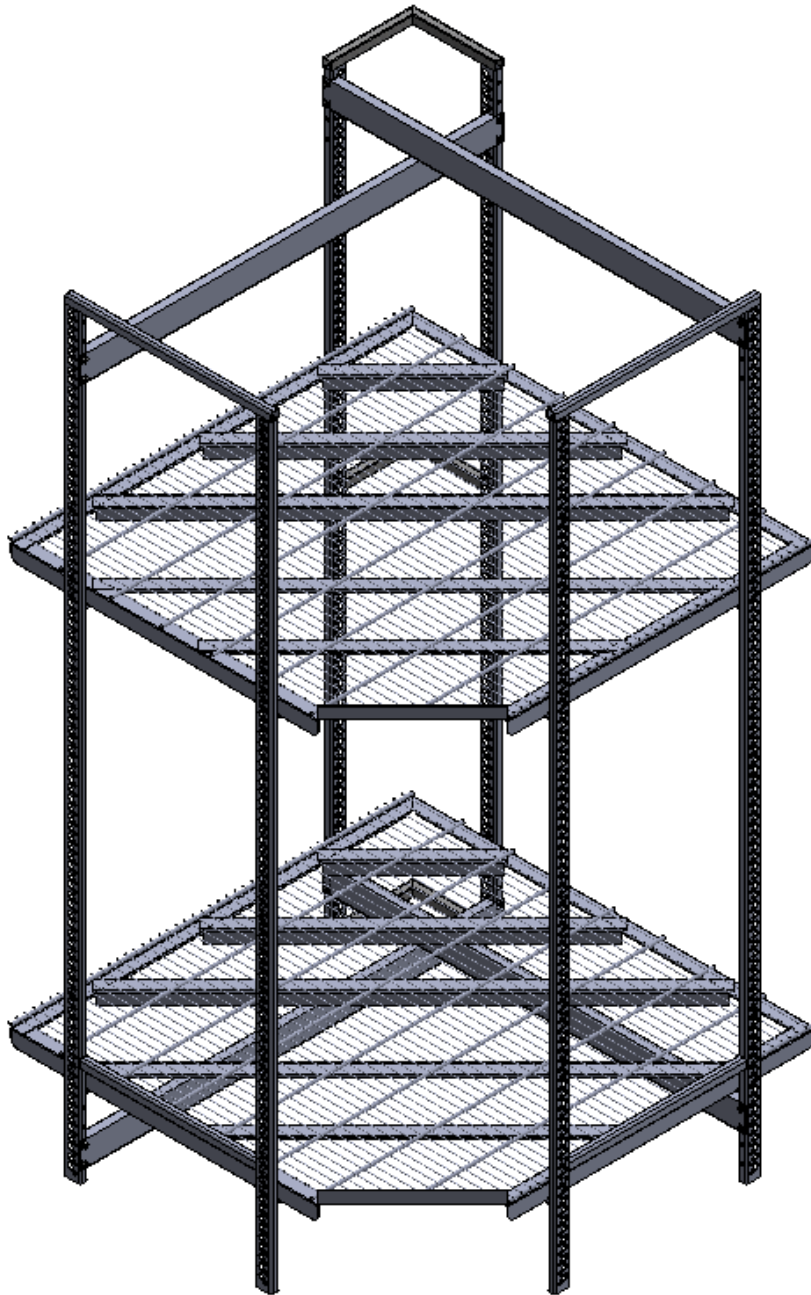
Step 4: **Tighten** all the bolts and nuts using the wrenches.



Step 6: Set Wire mat on Shelves.



Completed Assembly:



Questions?

Call Customer Service...800-323-2517