

VERSAPALLET SHELF ASSEMBLY GUIDE



Intertek

Sanitation Listed
Certified to NSF/ANSI 2 by Intertek

-Size of parts will differ depending on customer's order.

-Quantity of parts might differ depending on customer's order.

NEED:

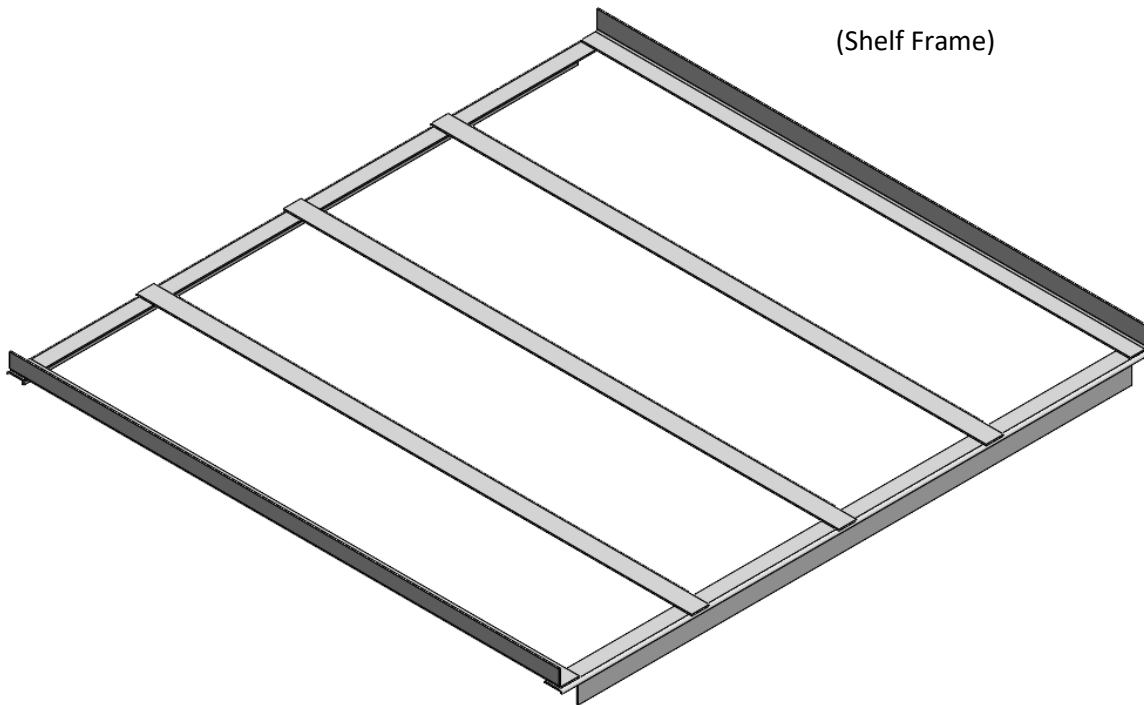


Two people
needed



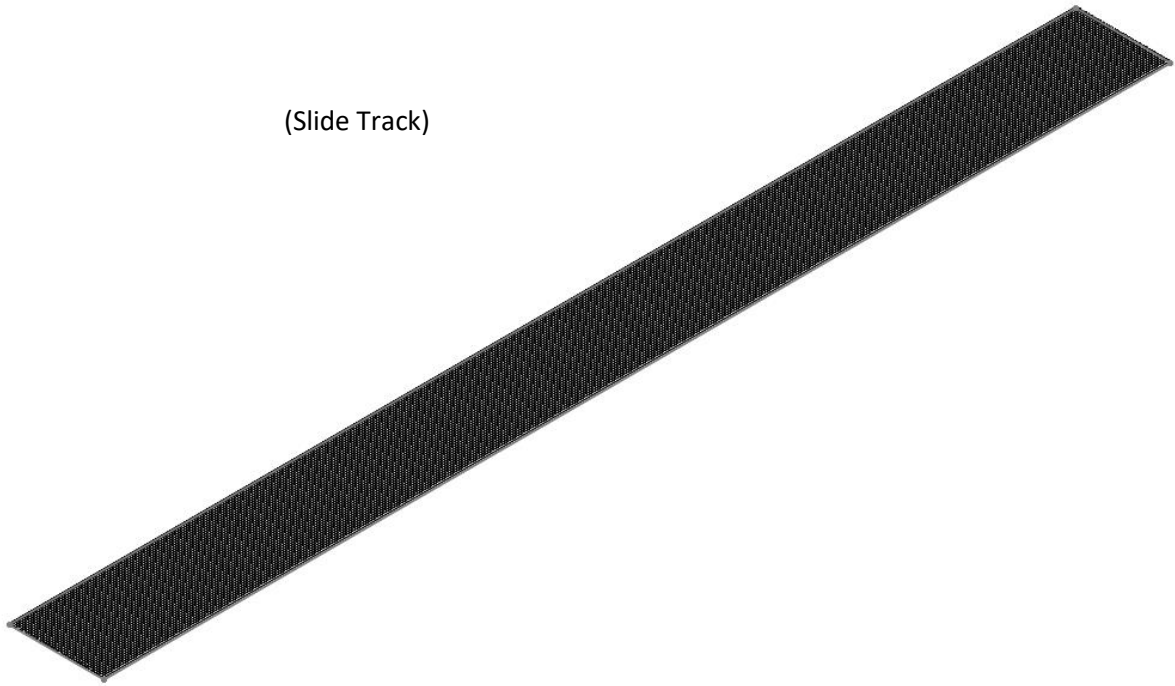
Utility
Gloves

PARTS LIST

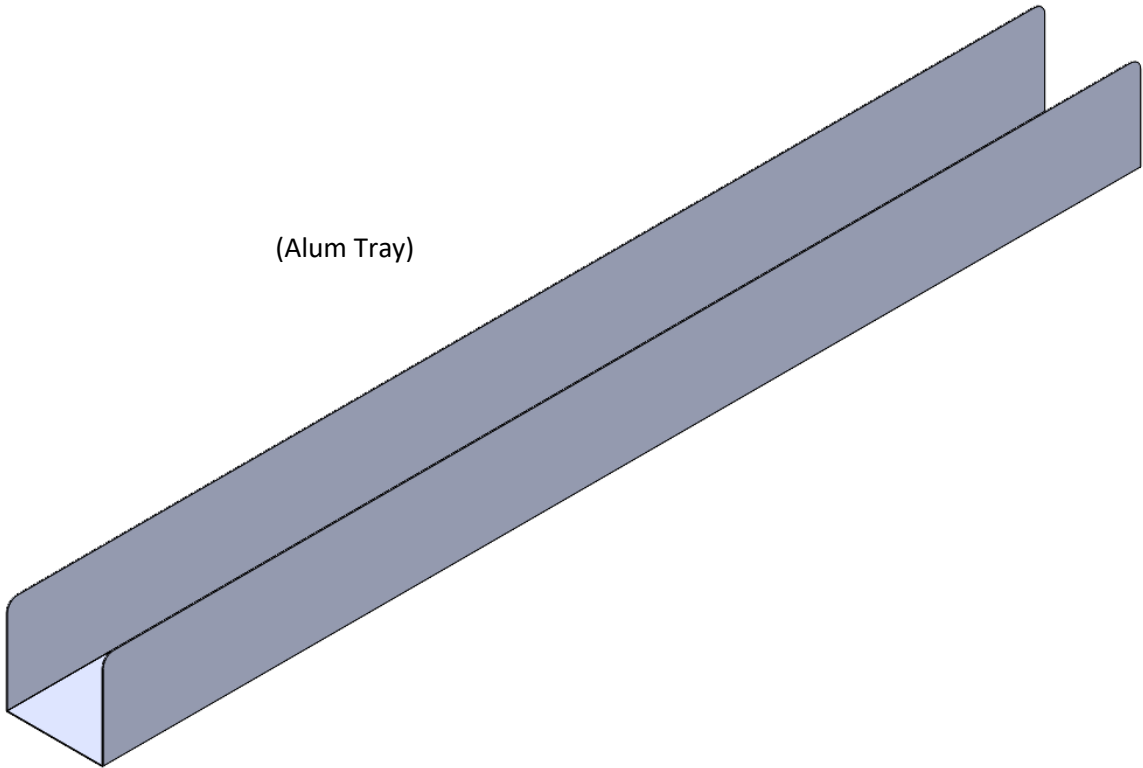


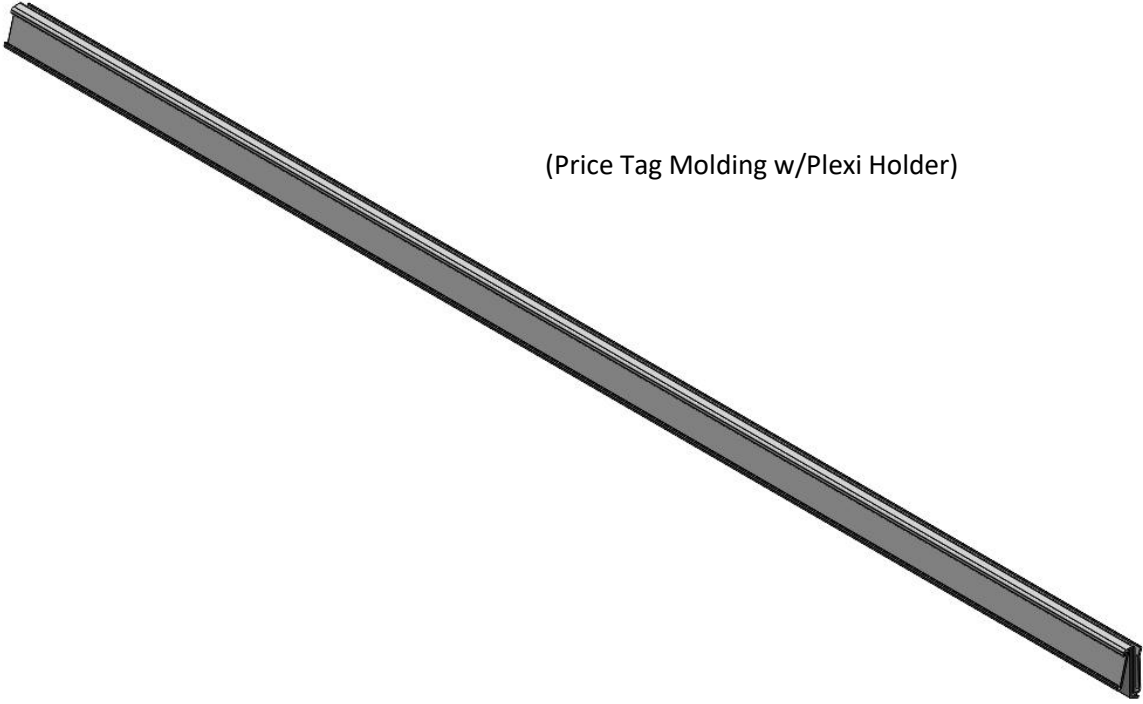
(Shelf Frame)

(Slide Track)

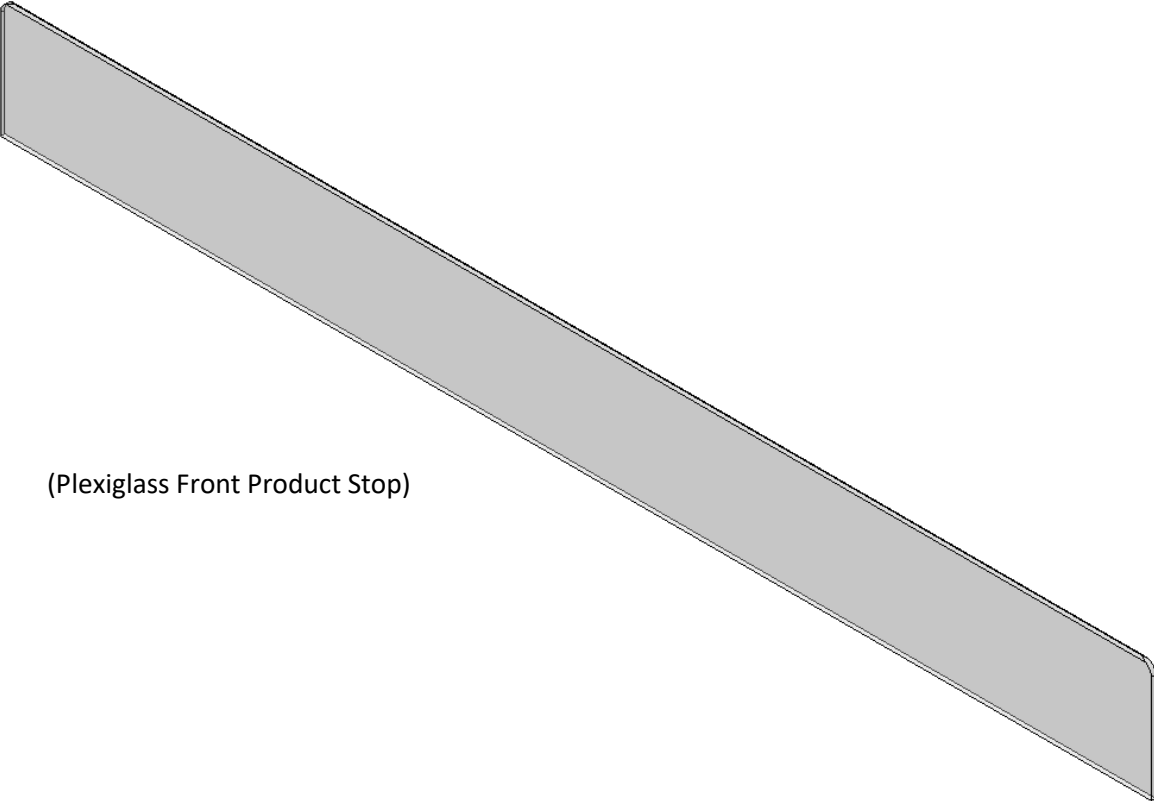


(Alum Tray)



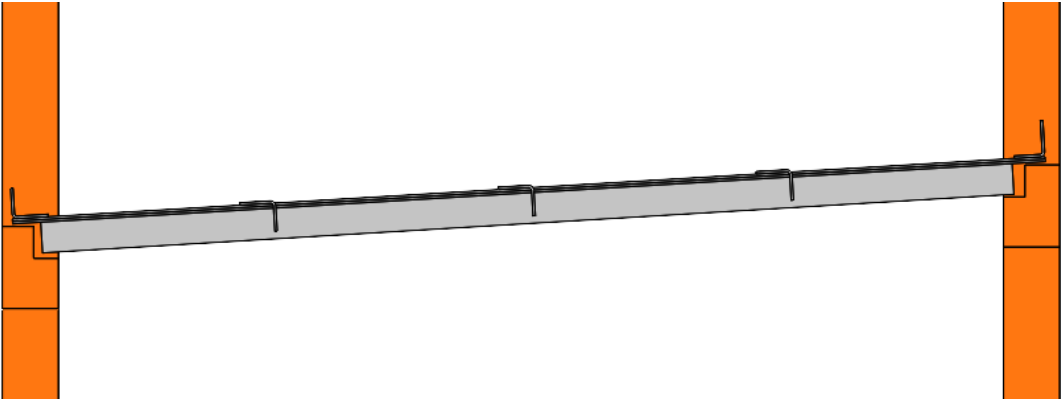
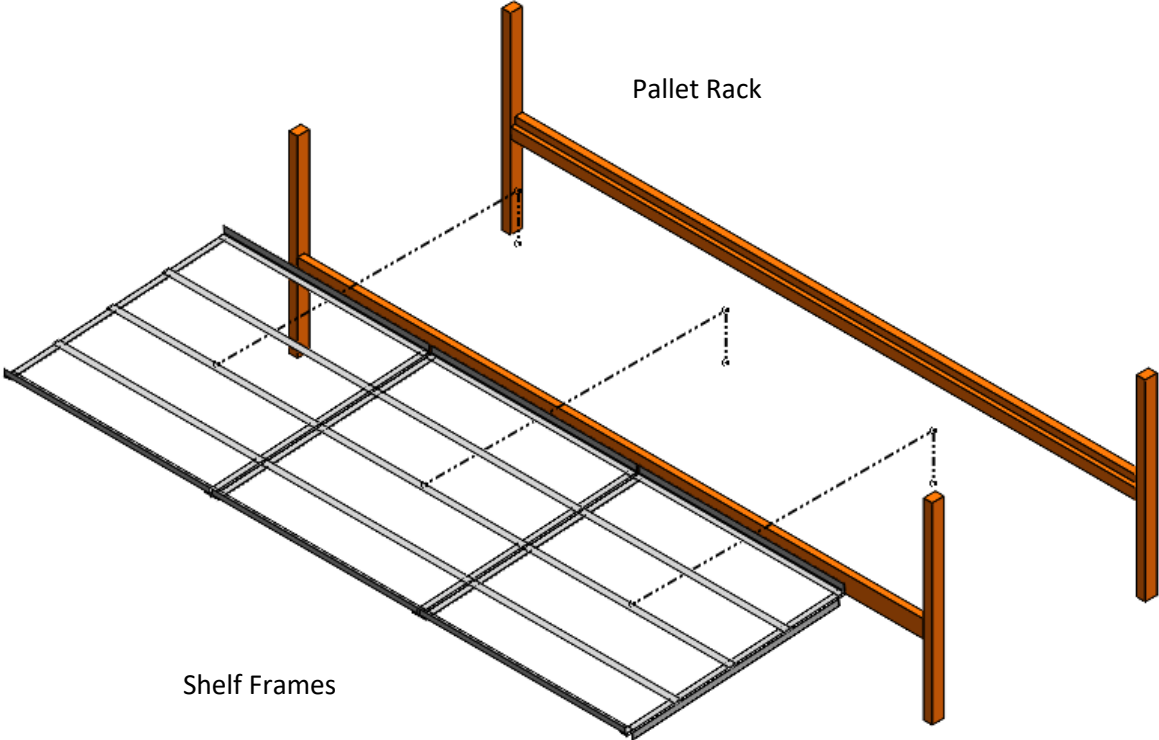


(Price Tag Molding w/Plexi Holder)

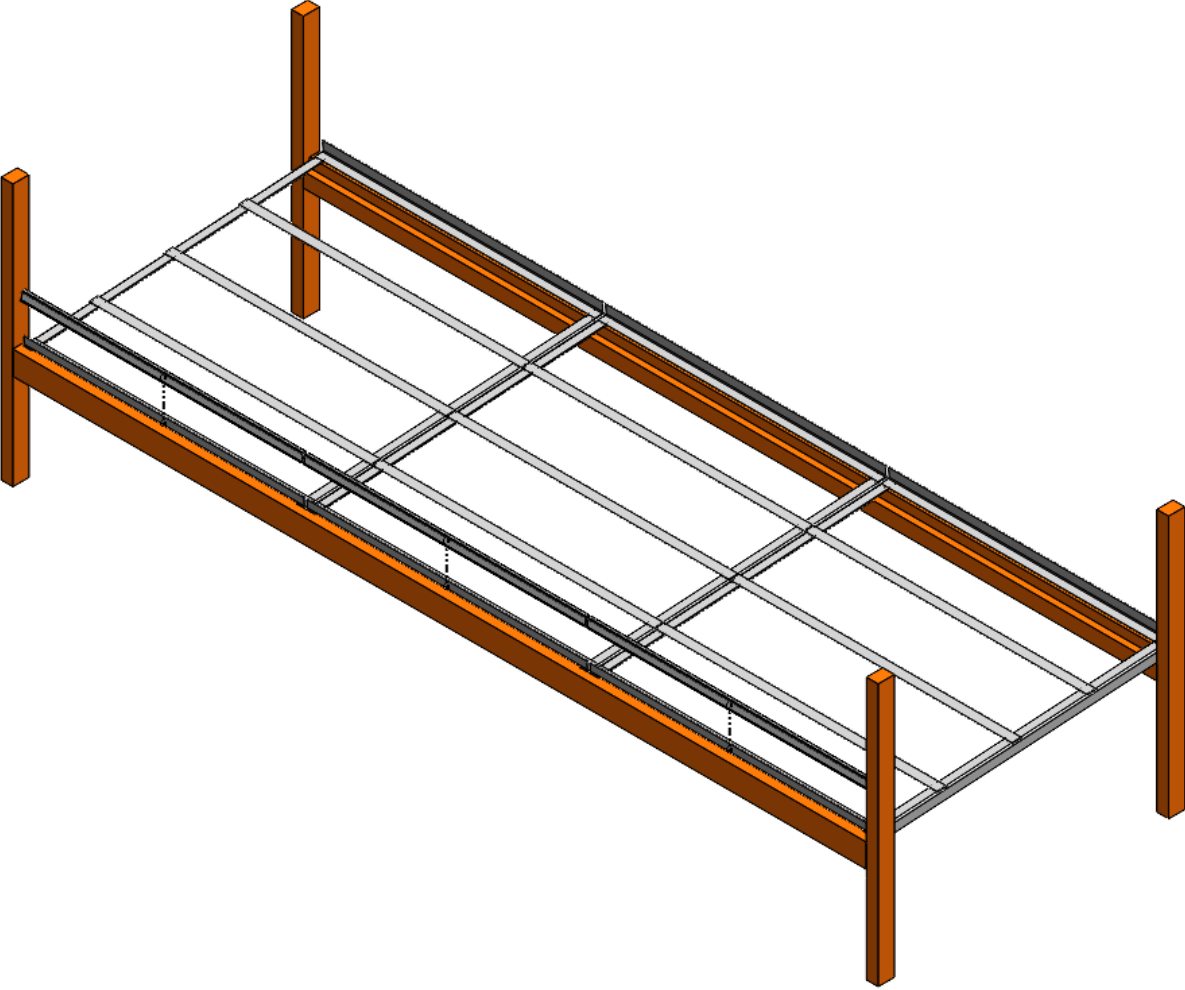


(Plexiglass Front Product Stop)

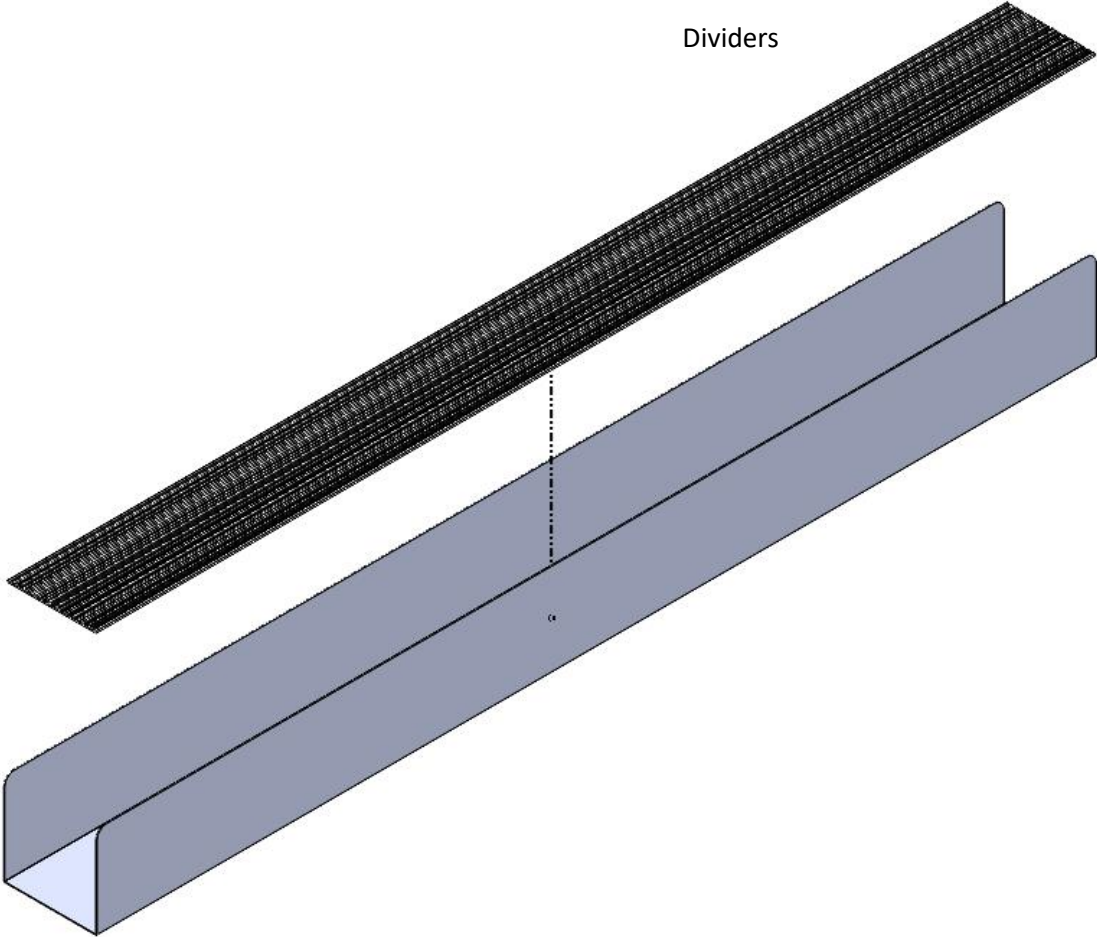
Step 1: Set the Shelf Frame in the existing Pallet Rack beam (12') with this specific profile.



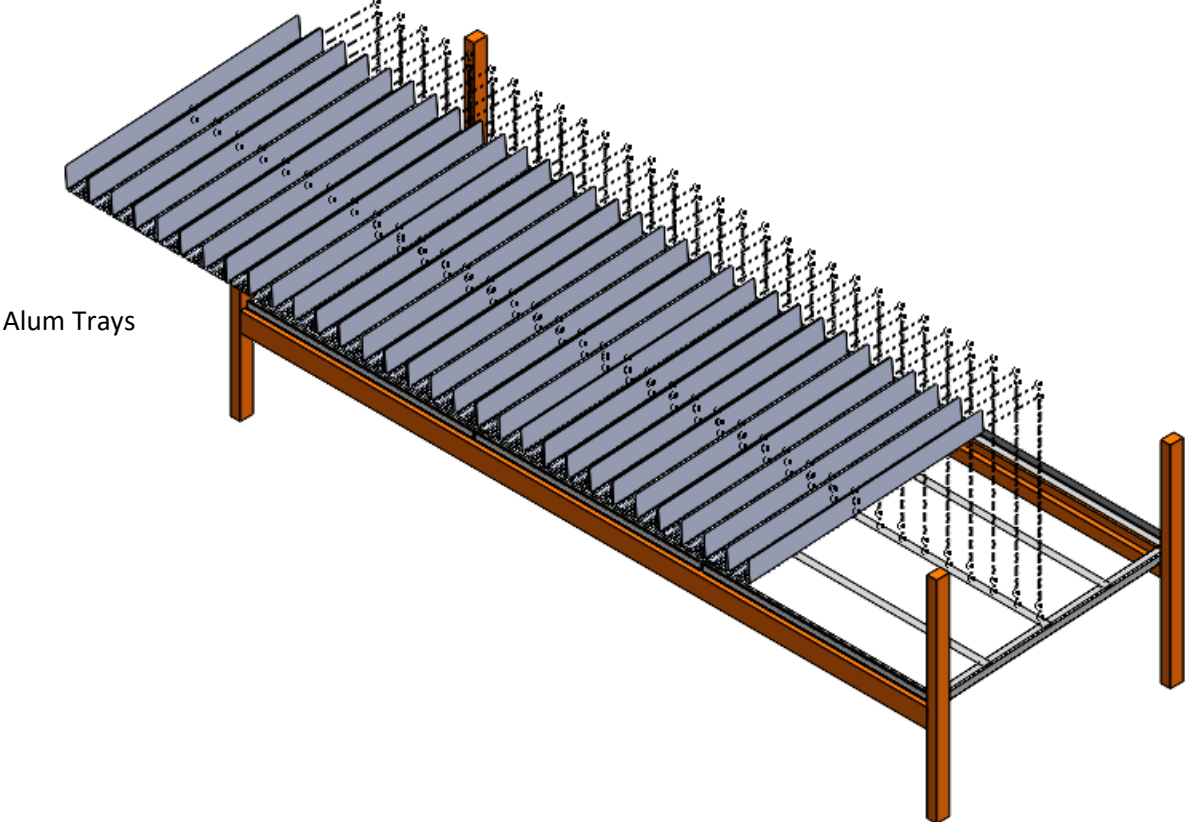
Step 2: Set the Price Tag Molding on the Shelf Frame.



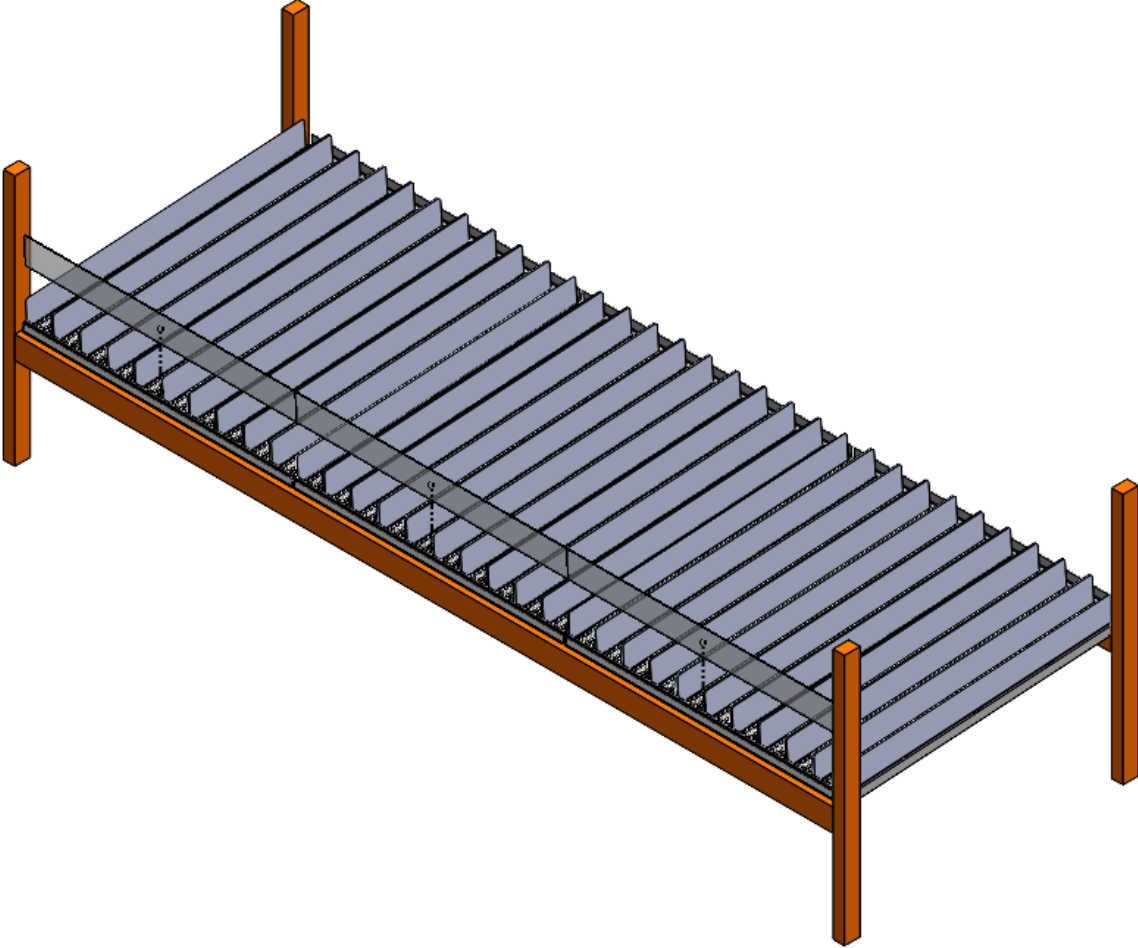
Step 3: Set the Slide Tracks in the Alum Trays



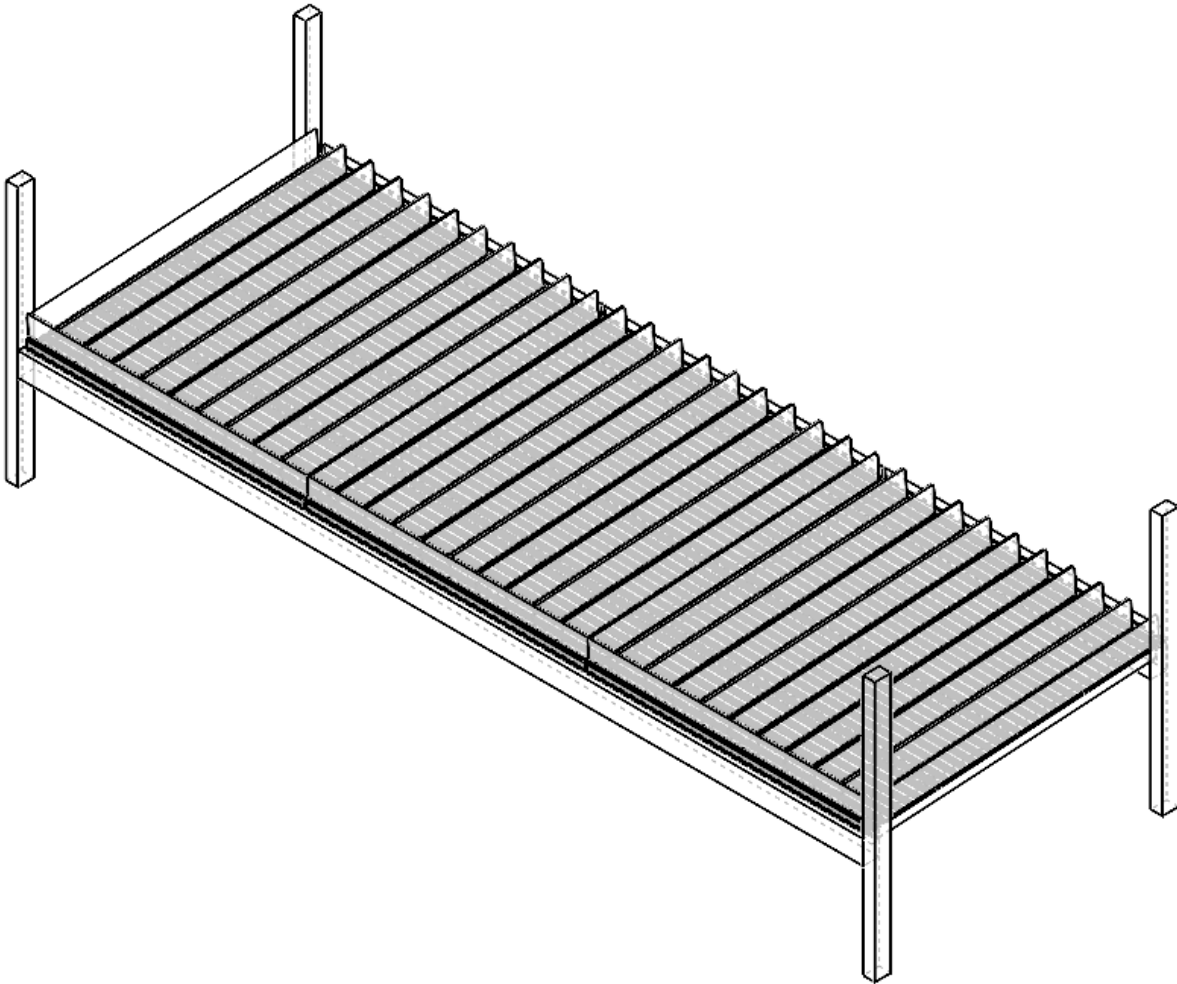
Step 4: Set the Alum Trays on the Shelf.



Step 5: Install Plexi Glass in the Price Tag Molding Plexi Holder.



Completed Assembly:



Questions?

Call Customer Service...800-323-2517